

## PHOTO KIOSK – REMOTE STORE – HOME CLIENT

Welcome to our Photo Kiosk .....



Make Quality Prints from  
your digital media

it's fast, it's easy

DEVELOPPED BY GENIESTAR INC USA, DISTRIBUTED BY MINILAB FACTORY USA

## PHOTO KIOSK SOFTWARE

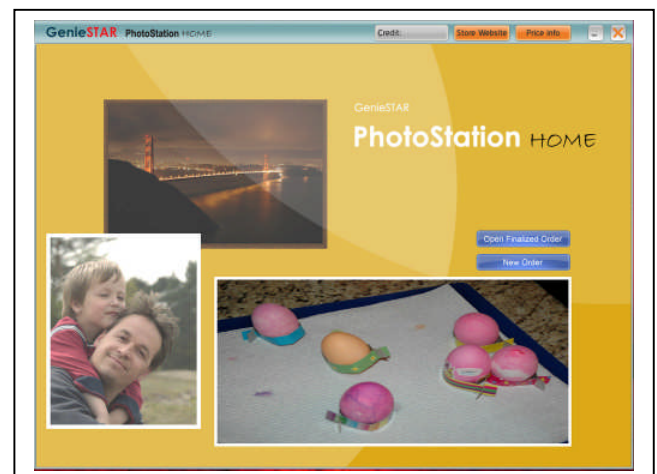
Using photo kiosks for photo processing and finishing has been a trend on the market. While we can see more and more kiosk systems everywhere, what makes them different is actually the software itself. A good software interface that provides easy-to-use features, attractive graphics, and an instructive workflow would definitely be a key to attract customers.



The latest version of GenieSTAR PhotoStation software now offers three applications in one complete package. Customers will be able to print photos, write photos to CDs, and make ID Photos. The software can be easily installed in a stand alone kiosk or your personal computer. It is the perfect solution to increase your point of sale capabilities and attract digital camera users. Please find out more about [GenieSTAR PhotoStation software](#).

## ONLINE PHOTO ORDERING SOFTWARE

PhotoStation Server-Home software offers you all the features included in the PhotoStation Professional version plus a server that receives orders from customers' home computers. It is sophisticated yet convenient. Find out more about the new [PhotoStation Server-Home software](#).

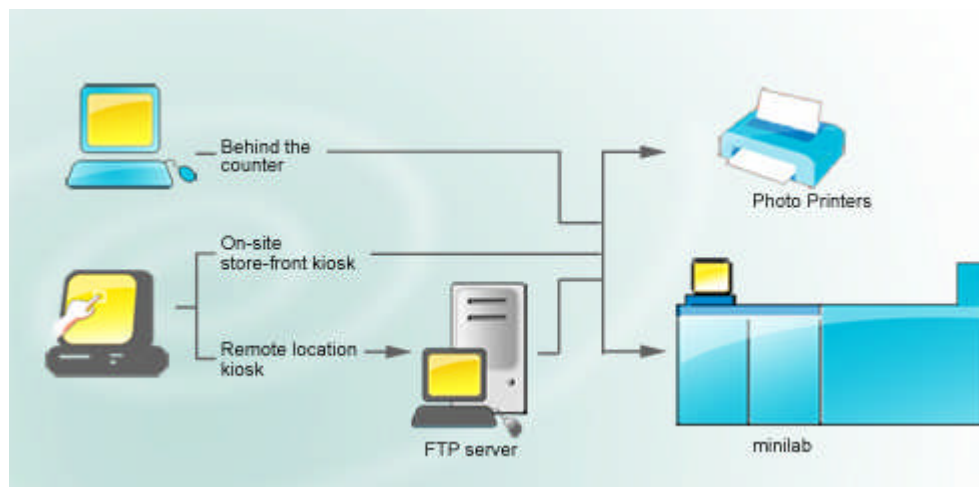


- **PhotoStation Professional version**
- **PhotoStation Standard version**

The GenieSTAR PhotoStation photo kiosk software gives flexibility to customers who come in the store with different requests. By one touch on the screen, the customer can select from printing photos, writing photos to CDs, and making ID Photos. The software also comes with one multiple language pack that includes English, French, German, Italian, Spanish, traditional Chinese, and simplified Chinese. Based on business necessities and demands in your local area, you may choose from Professional version and Standard version. Please refer to the [editing features](#) for differences between the two versions.



For photo studio owners who prefer to use GenieSTAR PhotoStation in the lab, the software is also a very handy and fast tool. It is easy to configure the software into owner's mode so that the owner can access all folders in the hard drives and media readers. In addition, if you do not wish to use a touch-screen monitor or mouse to operate the software, an alternative would be to use hot-keys on the keyboard to conveniently and efficiently process customers' orders. These hot-keys have been highly praised by previous Photostation owners.



### **Supported Input sources:**

- Digital Camera  
(Secure Digital Card, Compact Flash Card, Smart Media Card, Memory Stick, Memory Stick Pro, IBM Micro drive, Multi Media Card and xD-picture Card media formats)
- CD (CD-ROM), DVD (depending on hardware)
- Disk (Floppy Disk)
- USB (Flash Drive)
- Bluetooth device

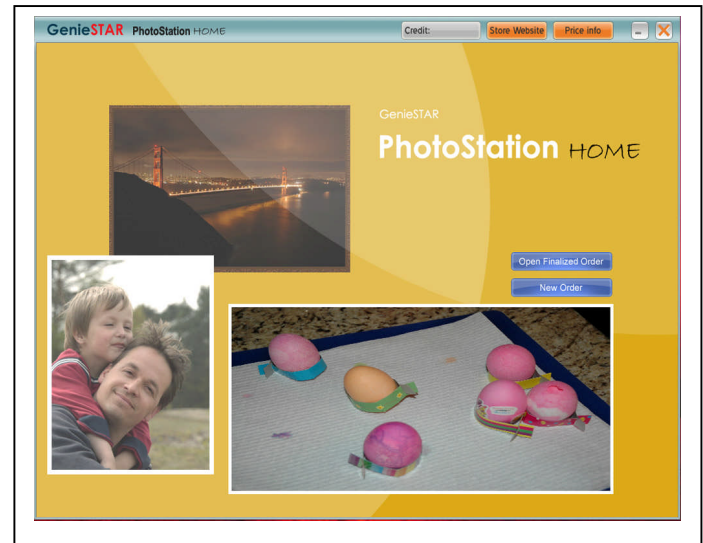
### **Supported Output:**

- **Receipt Printer:**
  - The receipt includes customer and sales information.
- **Printers:**
  - Inkjet
  - Dye-Sub Printers
  -
- **Digital Minilabs**
  - For example, print photos directly from
  - Noritsu QSS
  - Fuji Series
  - AGFA, AGFAPhoto (using the d-workflow PFDF interface)

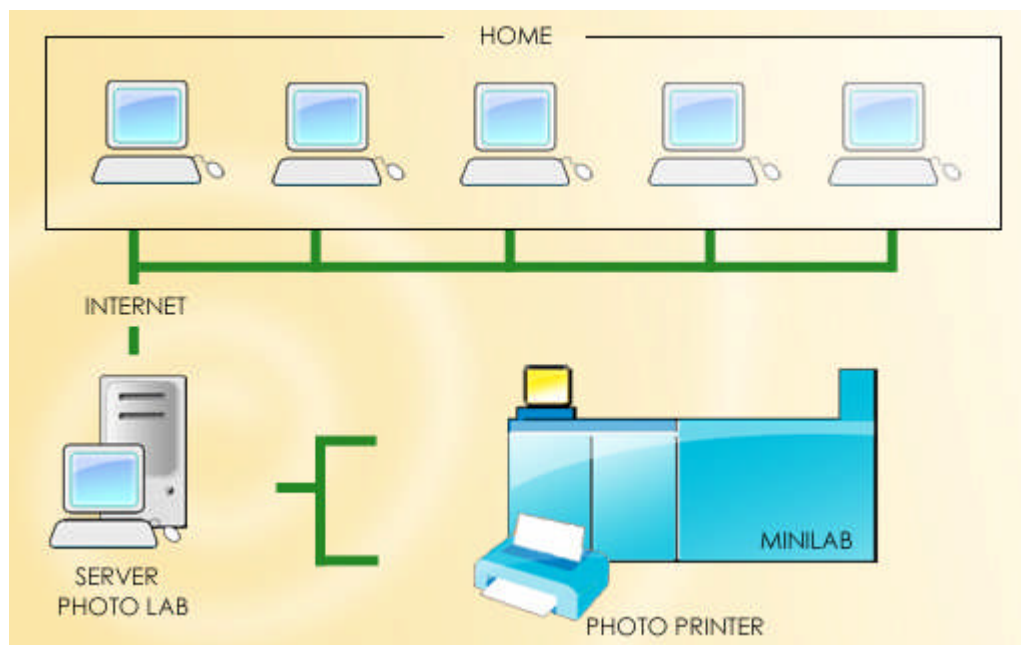
**Editing Features:**

	PhotoStation Professional	PhotoStation Standard
Rotate	●	●
Mirror	●	
Zoom & Crop	●	
Remove Red-Eye	●	
Black & White	●	
Sepia	●	
Add Text	●	
Add Illustrations	●	
Contrast	●	●
Brightness	●	●
Color Adjustment	●	●
Create Greeting Cards Borders, Calendars	●	

The PhotoStation Home-Server software suite expands current PhotoStation kiosk software into a complete order management and online photo ordering system. The software suite consists of the PhotoStation Server (a server-side program for the lab) and PhotoStation Home (a client-side program for customers). The server program offers you the ability to set up a membership database, manage and process your online and brought-in orders, and as a plus, still allows you to [Print Pictures] like [PhotoStation professional kiosk software](#).



Just install the PhotoStation Server program in your photo lab and give your customers the PhotoStation Home CD or let them download the program from your website. You are then ready to receive orders! It works as an internet ordering system but without having to spend lots of money on maintaining a website. Customers can create orders with or without internet connection. While providing your customers the convenience and ease of submitting their orders from the comfort of home, you are also increasing your business opportunities and keeping up with current digital technology!



---

## PHOTOSTATION SERVER (THE SERVER-SIDE)

---

**Requirements:** a FTP account with full read/write access permission

- ability to establish a membership system
- receive and process orders that are sent through internet connection by customers who use the PhotoStation Home program from their personal computers
- receive and process orders that are brought in to the lab by customers who have finished the photo selection and editing at home
- update pricing information for use in the PhotoStation Home program
- have full control of the options of the PhotoStation Home program(For example, photo paper finish, payment method, etc.)
- update card/border templates for use in the PhotoStation Home program
- update client side software when newer versions are available
- update store advertisements for display in the PhotoStation Home program
- set expiration dates for advertisements
- automatically send an email confirmation upon receiving customers' orders

---

## PHOTOSTATION HOME (THE CLIENT-SIDE)

---



- run the software with or without joining as a member
- automatically receive updates from the PhotoStation Server program
- select and edit photos with full editing features as on the regular photo kiosk in the store
- send orders to the photo lab online, or save the order and bring it to the lab for processing
- send order-related messages to the lab with the order
- save all unfinished orders, and continue working on them later
- create orders with or without internet connection

\*\* Note that all customer's orders including finished or unfinished will all be encrypted.

Only the server side program can open it for processing.

## PHOTOBOOK SOFTWARE

Create a book of fine memories



The [Photo Book] feature is currently included in the extended kiosk software, PhotoStation Professional with PhotoBook, along with other three features [Print Pictures], [Write to CD/DVD], and [ID Photo].

The [Photo Book] feature allows you to:

- select a book size
- select a theme for the book
- select and preview photos
- edit and enhance photos
- automatically or manually arrange photos on each page
- preview the completed book

## GENIESTAR PHOTOSTATION TRIAL

Thank you for your interest in GenieSTAR software. Please click on the links below to download. This software requires a screen resolution of 1024 x 768.

### PhotoStation Home/Server English - ONLINE ORDERING

- Multilanguage pack
- This is a 30 day (from the day of installation) trial version.
- A FTP computer and FTP login account is required.

This software package consists of [PhotoStation Server Trial] and [PhotoStation Home Trial]. You need to download both software to try the full functionalities.

PhotoStation Server: To be installed in your lab computer.

PhotoStation Home: To be installed in your customer's home computer.

**Note:** Before installing this software package, please read the PhotoStation Home/Server installation quick guide.

<a href="#">PhotoStation Server Trial</a>	April 17, 2008
<a href="#">PhotoStation Home Trial</a>	April 17, 2008
<a href="#">PhotoStation Home/Server installation quick guide</a>	November 27, 2007

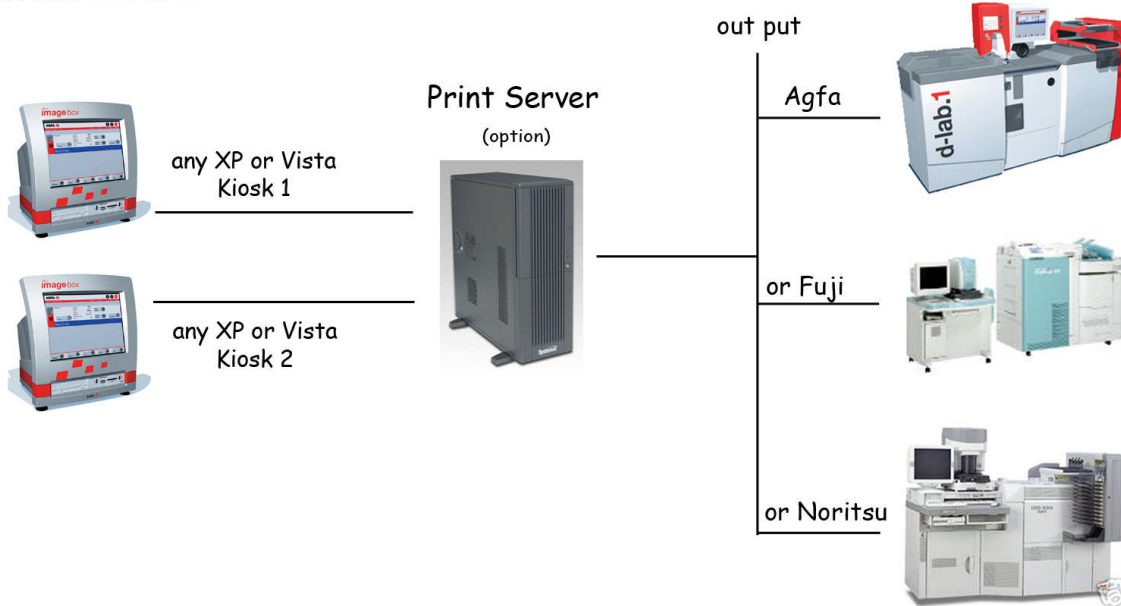
### PhotoStation Professional with Photo Book - KIOSK

- Multilanguage pack
- This is a 15 day (from the day of installation) trial version.
- Windows XP computer: In order for 'Write to CD/DVD' feature to work, please download and install Windows update KB932716 for Windows XP SP2 system.
- A separate version of PhotoStation Professional without Photo Book feature is also available.

<a href="#">PhotoStation Professional with Photo Book Trial</a>	May 14, 2008
<a href="#">Download and install Microsoft Corporation Windows XP SP2 update (KB932716) for 'Write to CD/DVD' feature</a>	February 4, 2008
<a href="#">PhotoStation Professional installation quick guide</a>	November 27, 2007

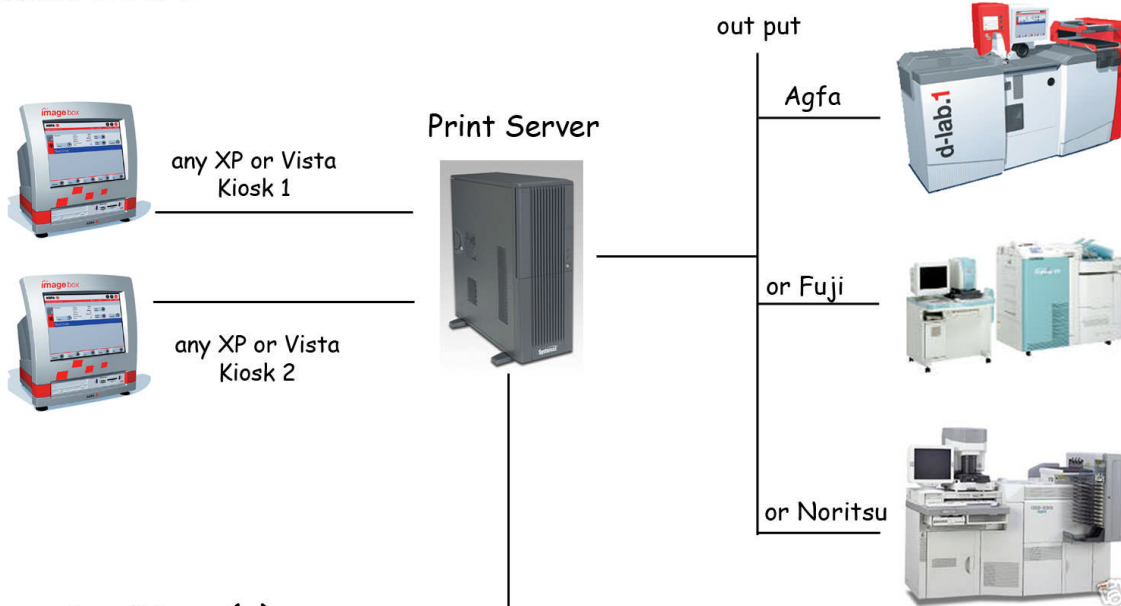
# main store

## Main Store :

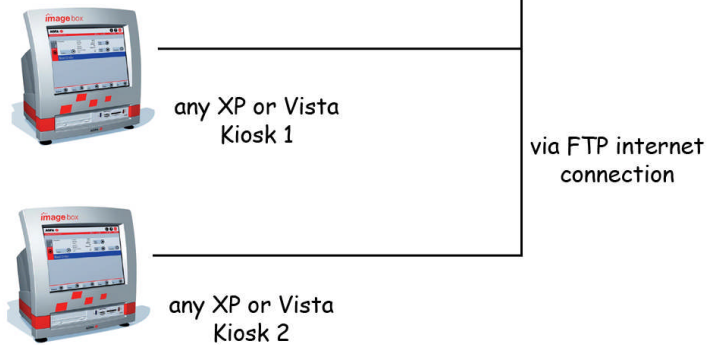


# main & remote stores

## Main Store :

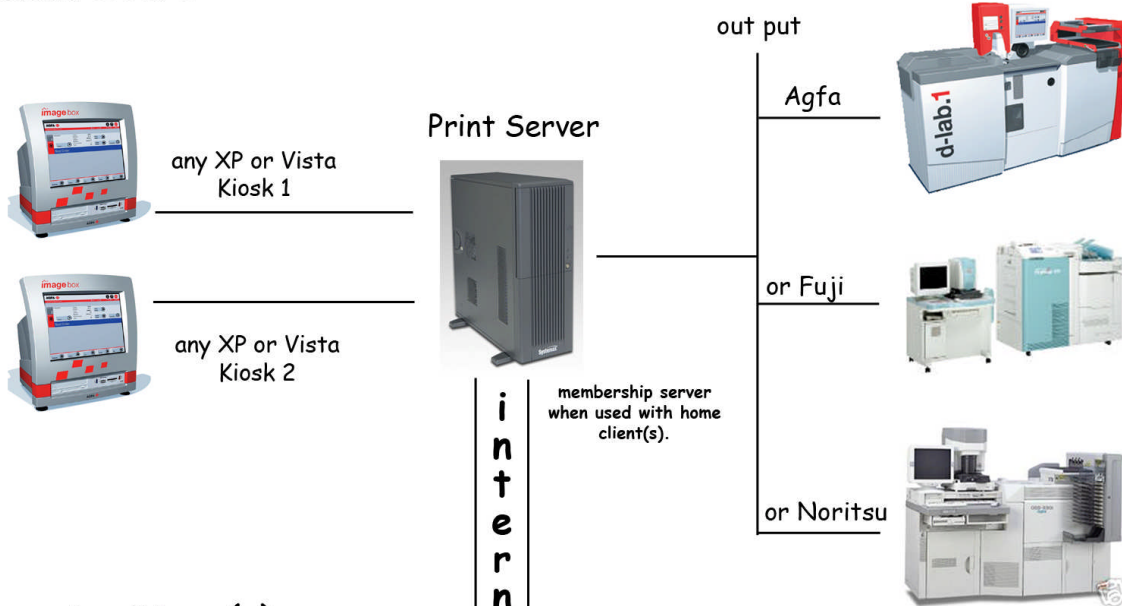


## Remote Store(s):

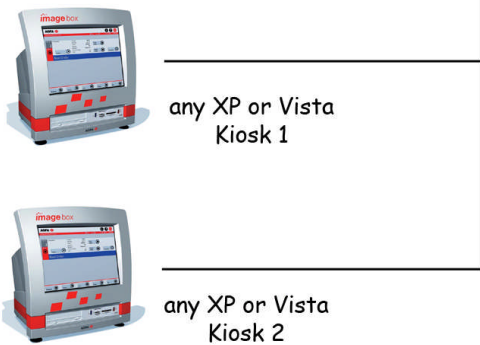


# main & remote Stores & home client(s)

## Main Store :



## Remote Store(s):



## Home Client (s): unlimited clients

